

# INSTRUCTIONS: DIY Back-to-School Makeup Pouch

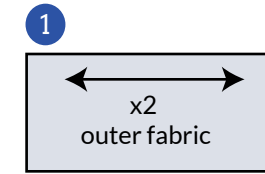
Having trouble keeping up with all of your must have on-the-go makeup products in the busy confines of your school bag? Gregg Ranch has got you covered! Create your very own makeup pouch with just these few supplies and simple instructions.

By Victoria Luckey

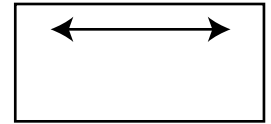
## Supplies

- ½ yard of outer fabric
- ½ yard of lining fabric
- Painter's tape
- Acrylic Paint
- Paintbrush
- Sewing machine
- Zipper foot
- Pins
- Scissors
- 7-inch zipper

- 1 Cut 2 layers of outer fabric into a rectangle, making sure that it is 8½ inches long and 4 inches wide. (These measurements include ¼ inch seam allowance). Cut two of the lining fabric. See Diagram 1.

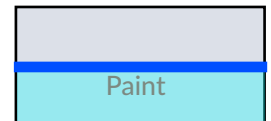


Cut two 8 1/2 x 4 inch vinyl pieces



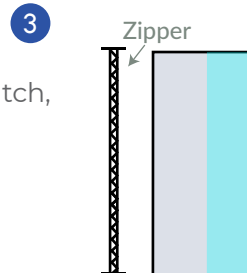
Cut two 8 1/2 x 4 inch lining pieces

- 2 Place the painter's tape 2 inches above the long edge of the outer fabric. Apply paint generously to bottom half of outer fabric. See Diagram 2.

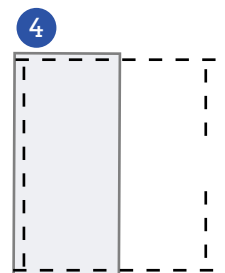


Once the paint is completely dry, remove the painter's tape.

- 3 Sew on the zipper. Lay your fabric right sides together like a sandwich (right side of outer fabric against right side of lining fabric). Place the zipper inside the two pieces of fabric, like the jelly of the sandwich, and line its long edge against the long edge of the two pieces of fabric. See Diagram 3, where unpainted edge of outer fabric meets with edge of zipper. Pin. Using the zipper foot, sew along the long edge.



Sew on zipper



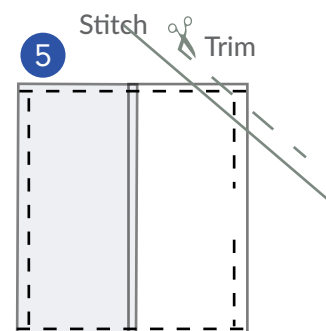
Sew the bag together along the dotted lines. Right sides together.

Fold the outer fabric over (right side now facing up) and top stitch, being sure that the interior fabric is out of the way.

Repeat on other side and unzip the zipper ¾ of the way down. DO NOT SKIP THIS STEP!

- 4 Place right sides together (outer fabric-to-outer fabric and lining-to-lining). Pin. Sew along all 4 edges of the pouch, leaving a 3-inch gap at the long edge of the lining fabric. See Diagram 4.

- 5 Push all four corner's of your fabric inward to make a diagonal seam. Sew a 2 inch line to the end of the fabric and trim the edges. Trim off the edges.



- 6 Pull fabric through the 3-inch gap of the lining fabric. Close the open lining gap with a top stitch.

Your DIY Makeup Pouch is now complete!

**GREGG RANCH**  
MARBLE FALLS

Sign up at [www.greggranch.com/stay-connected/](http://www.greggranch.com/stay-connected/) to get the latest information and news from Gregg Ranch.